

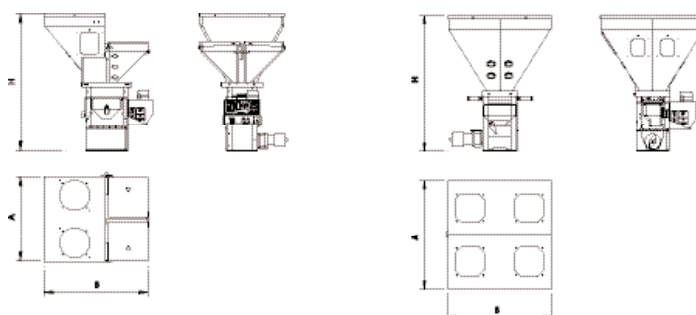


## Dosatori Gravimetrici Volumetric Dosing Units





## Dosatori Gravimetrici Volumetric Dosing Units



Dati Tecnici Dosatori - Dosing unit technical data

	Peso Batch Batch size	Componenti Components	Serrande Slide gates	Dosatori a coclea Screw feeder	Produzione max Max capacity	Dimensioni c.a. Dimensions app.	Peso c.a. Weight app.
	kg	N.	N.	N.	kg/h	AxBxH	kg
WSB-MB	0,4	4	4	0	45	410x410x600	23
WSB-MB-PLUS	0,4	4	4	0	64	410x410x600	23
WSB-140	1	4	4	0	200	730x670x820	68
WSB-140R	1	4	4	0		730x670x820	68
WSB-160	1	6	6	0		730x670x820	68
WSB-220	2	2	2	0	400	826x673x1067	100
WSB-221	2	3	2	1		826x673x1067	118
WSB-222	2	4	2	2		826x673x1067	136
WSB-240	2	4	4	0		1054x711x1168	105
WSB-241	2	5	4	1		1054x711x1168	123
WSB-242	2	6	4	2		1054x711x1168	141
WSB-240R	2	4	4	0		1054x711x1168	116
WSB-260	2	6	6	0		1054x711x1168	120
WSB-420	4	2	2	0	650	826x673x120	125
WSB-421	4	3	2	1		826x673x120	143
WSB-422	4	4	2	2		826x673x120	161
WSB-440	4	4	4	0		1054x711x1308	141
WSB-441	4	5	4	1		1054x711x1308	159
WSB-442	4	6	4	2		1054x711x1308	177
WSB-444	4	8	4	4		1054x711x1308	214
WSB-440R	4	4	4	0		1054x711x1308	157
WSB-460	4	6	6	0		1054x711x1308	161
WSB-940	9	4	4	0		1800	1081x724x1524
WSB-941	9	5	4	1	1081x724x1524		209
WSB-942	9	6	4	2	1081x724x1524		227
WSB-944	9	8	4	4	1081x724x1524		264
WSB-960	9	6	6	0	1081x724x1524		195
WSB-1840	18	4	4	0	2270	1181x1029x2210	280
WSB-1841	18	5	4	1		1181x1029x2210	298
WSB-1842	18	6	4	2		1181x1029x2210	316
WSB-1860	18	6	6	0		1181x1029x2210	284
QAB-1866	18	12	6	6		1181x1029x2210	393