



## Miscelatori verticali serie MVP MVP series vertical mixers

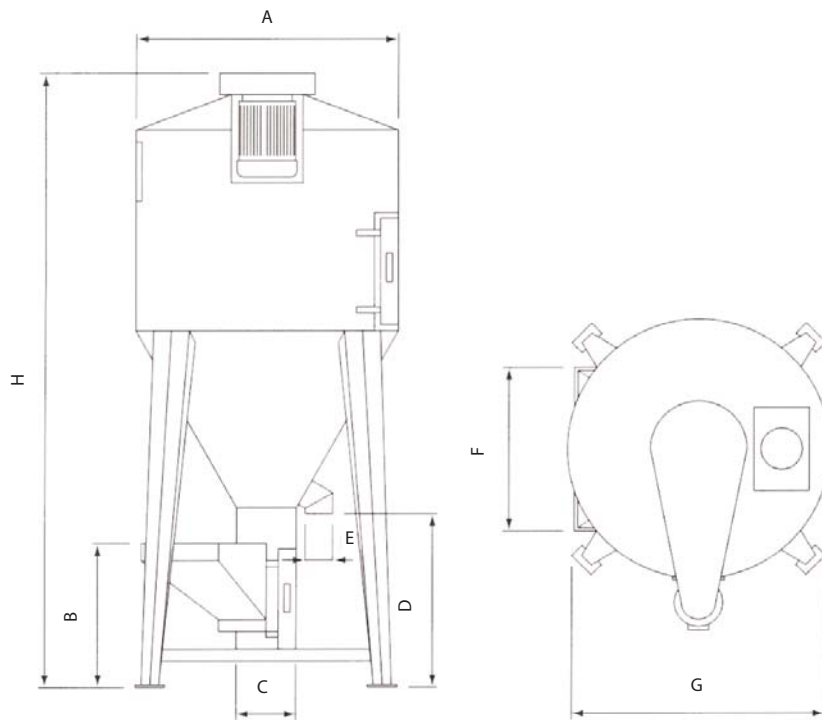


### Caratteristiche Tecniche - Technical Specifications

		MVP500	MVP1000	MVP1800	MVP2500	MVP3500	MVP5000	MVP8000	MVP10000	MVP14000	MVP16000
Capacit./Capacity	dm <sup>3</sup>	500	1000	1800	2500	3500	5000	8000	10000	14000	16000
Potenza./Power	kW	2.2	4	5.5	5.5	7.5	7.5		11	11	15
Tensione/Voltage	V/Hz	400/50	400/50	400/50	400/50	400/50	400/50	400/50	400/50	400/50	400/50
Peso/Weight	Kg	-	-	-	-	-	-	7,5	-	-	-



## Miscelatori verticali serie MVP MVP series vertical mixers



### Caratteristiche Tecniche - Technical Specifications

		MVP500	MVP1000	MVP1800	MVP2500	MVP3500	MVP5000	MVP8000	MVP10000	MVP14000	MVP16000
A	mm	850	1060	1400	1500	1600	1900	2350	2350	2450	2450
B	mm	600	650	700	700	700	750	750	750	750	750
C	mm	200	280	320	320	320	320	320	320	320	320
D	mm	800	800	800	800	800	800	800	800	800	800
E	mm	150	200	230	230	230	230	230	230	230	230
F	mm	650	750	950	950	950	1000	1000	1000	1000	1000
G	mm	1150	1250	1400	1450	1500	1800	1950	1950	2150	2150
H	mm	2550	3050	3200	3500	3900	4200	4600	5100	5700	6200